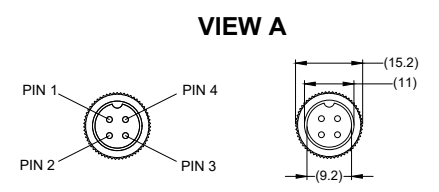
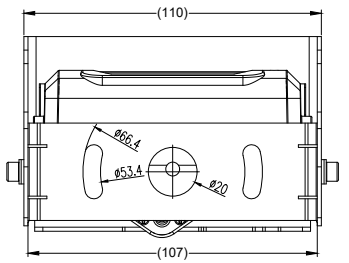
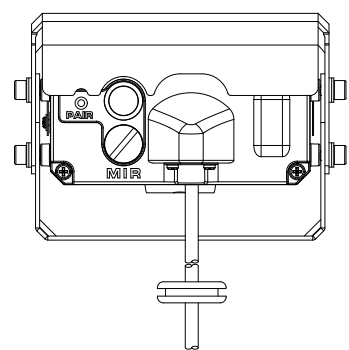
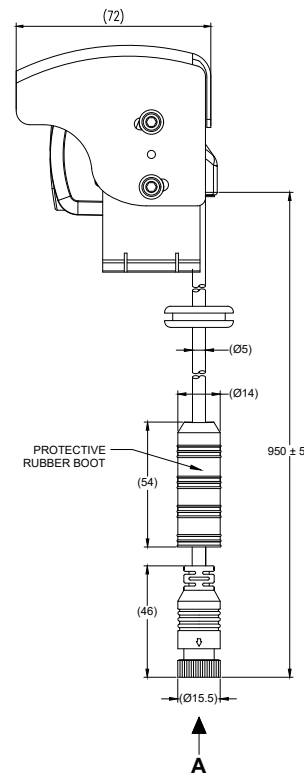
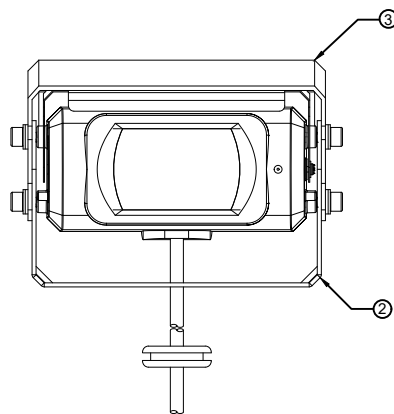
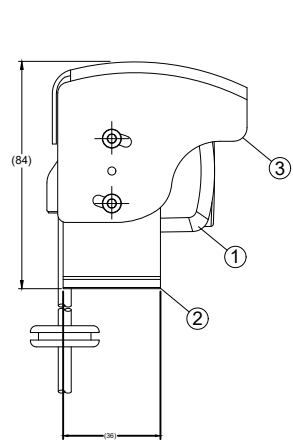
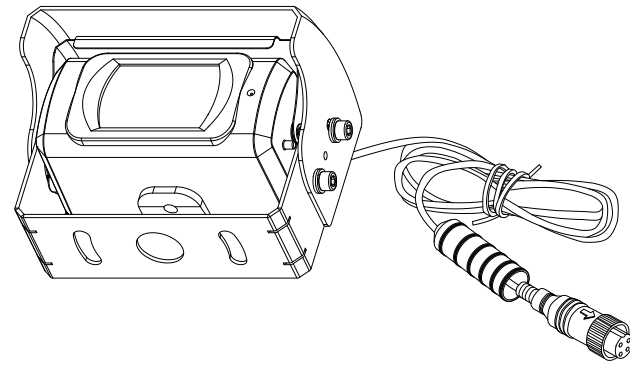
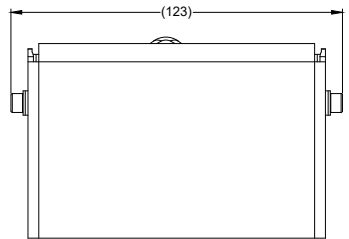


TABLE 1				
ITEM	PART NO.	MODEL NO.	QTY	DESCRIPTION
1	(SEE TABLE 2)	(SEE TABLE 2)	1	(SEE TABLE 2)
2	(3656)	VBV-71XC-BKT	1	VBV-71XC-BKT CAMERA BRACKET
3	(3657A)	VBV-71XC-SS	1	VBV-71XC-SS CAMERA SUNSHIELD
4	(3658)	VBV-71XC-FIX	1	VBV-71XC-FIX CAMERA FIXING KIT (NOT SHOWN)
5	(3660C)	VBV-71XC-IG	1	VBV-71XC-IG INSTALLATION GUIDE (NOT SHOWN)

TABLE 2				
PART NO.	MODEL NO.	move	DESCRIPTION	
(2808C)	VBV-710C	3659C	SELECT CAMERA, HEATED SHUTTER & AUDIO (PAL)	
(2841C)	VBV-711C	3671C	SELECT CAMERA, HEATED SHUTTER & AUDIO (NTSC)	

Revision Notes.
 R1 - Whole drawing updated to capture additional motor limiter as per CR-1172A
 APA: J. LAM Drawn: L. CHEUNG Checked: D. FOALE Approved: S. LAVAL Date: 02/03/2026



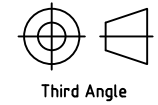
4 PIN FEMALE MATING FACE

PIN #	WIRE COLOUR	DESCRIPTION
1	RED	+12V
2	BLACK/SHIELD	GND
3	WHITE	AUDIO
4	YELLOW	VIDEO

- NOTES:**
- FOR PRODUCT LABEL AND PACKAGING DETAILS REFER TO MASTER BOM.
 - ANY CUSTOMER MODIFICATIONS OF THIS PRODUCT CAUSING SUBSEQUENT FAILURE IS NOT A RESPONSIBILITY OF BRIGADE.
 - PURCHASE ORDER TO DEFINE PACKAGING VARIANT.

PROPRIETARY NOTICE
 THIS DESIGN AND TECHNICAL INFORMATION APPEARING ON THIS DRAWING IS THE PROPERTY OF BRIGADE ELECTRONICS, AND IS DISCLOSED IN CONFIDENCE. IT IS NOT TO BE COPIED, REPRODUCED, REVEALED TO OR EXPROPRIATED BY OTHERS, EITHER IN WHOLE OR IN PART WITHOUT THE EXPRESS WRITTEN CONSENT OF BRIGADE ELECTRONICS.

Sheet 1 of 1	Assembly Pl Approval W. WU (09/06/20)	Approved by S. LAVER	Checked by C. WALKER	Drawn by J. STEWART
Customer Approval -	Angle of Projection	Units mm	Scale N/A	Released 23/06/20
		Status RELEASED		Assembly Ref -



Part No -	VBV-71XC
	BE-004304-01-20